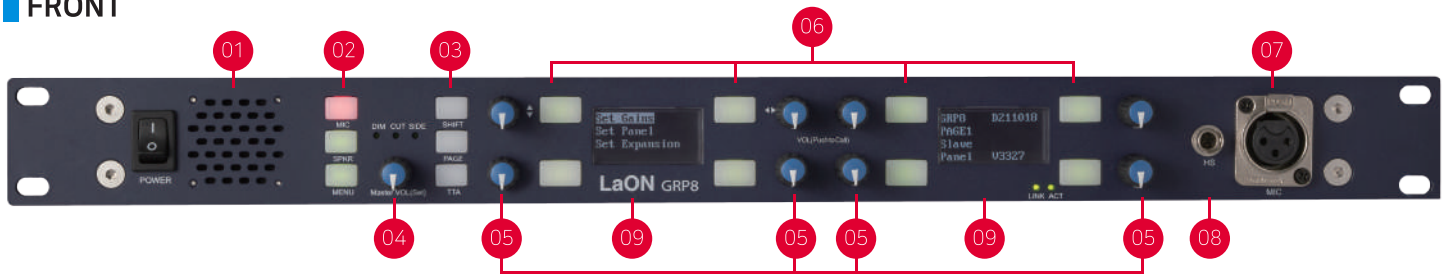


FRONT



- 01 Loudspeaker
- 02 Microphone on, Loudspeaker on, Menu (LED indicator)
- 03 Shift, Page, Talk To All (LED indicator)
- 04 Master Volume, Push to select DIM, CUT, Sidetone
- 05 CH1-CH8 (Shift CH9-CH16) Volume, Push to call
- 06 CH1-CH8 (Shift CH9-CH16) Talk key (LED indicator)
- 07 Gooseneck microphone connector (XLR3F)
- 08 Headset connector (6pin Mini-Din Receptacle)
- 09 Display screen

REAR



- 01 Chassis ground hole
- 02 Reserved Expansion Input/Output and 12VDC (RJ45)
- 03 Line A (4-Wire, RJ-45)
- 04 Line B (4-Wire, RJ-45)
- 05 Line C (4-Wire) input (XLR-3F)
- 06 Line C (4-Wire) output (XLR-3M)
- 07 Line D (4-Wire) input (XLR-3F)
- 08 Line D (4-Wire) output (XLR-3M)
- 09 PC PROG (25-pin female D-type)
- 10 GPIO (25-pin male D-type)
- 11 LAN1 (RJ45)
- 12 LAN2 (RJ45)
- 13 PoE input (RJ45)
- 14 12VDC 3.33A Power input connector
- 15 12VDC 3.33A Power input connector for duplex

Genie Key Panels are 'matrix-free' IP networking intercom system designed to be used in connection with Genie, a converged system of IP intercoms and Wireless Beltpacks, or independently without a Genie Base Station which is flexible and efficient in configuring a system for various applications. The Key Panels offer varied audio paths such as peer-to-peer or up to 20 multiple Key Panels group communications with one key(group key), Genie group conference, Line connections, Line audio routings and IFBs. It is highly scalable system enabling up to 128 Key Panel connections that supports high standard intercom users to accomplish complex workflows for large scale of facilities or events. The system can easily be configured by GCM(Genie Configuration Manager) with full visibility of the connection status. GRP8-12V is an 1U rack size Key Panel that provides 8 Talk keys for 16 Talk channels where you can shift with one-touch shift key. The power is redundant by PoE(Power over Ethernet) or two 12VDC PSUs.

GENIE Key Panels at a Glance

Model	Description	Talk key	4-Wire	LAN	PoE In	Relay	Opto Input	Format	Power Redundancy
GRP32	Rack Panel	32	4	2	1	2	2	2RU	(2 x PSU) + PoE
GRP16	Rack Panel	16	4	2	1	2	2	1RU	(2 x PSU) + PoE
GDP16	Desk/Wall Panel	16	4	2	1	2	2	Desk/Wall	(2 x PSU) + PoE
GRP8-12V	Rack Panel	8	4	2	1	2	2	1RU	(2 x PSU) + PoE
GDP4	Desk/Wall Panel	4	-	-	1	-	-	Desk/Wall	PoE
GLR4	Line Router	-	4	2	1	-	-	1RU	(2 x PSU) + PoE
WAN Link	WAN Link	-	4	2	1	-	-	1RU	(2 x PSU) + PoE

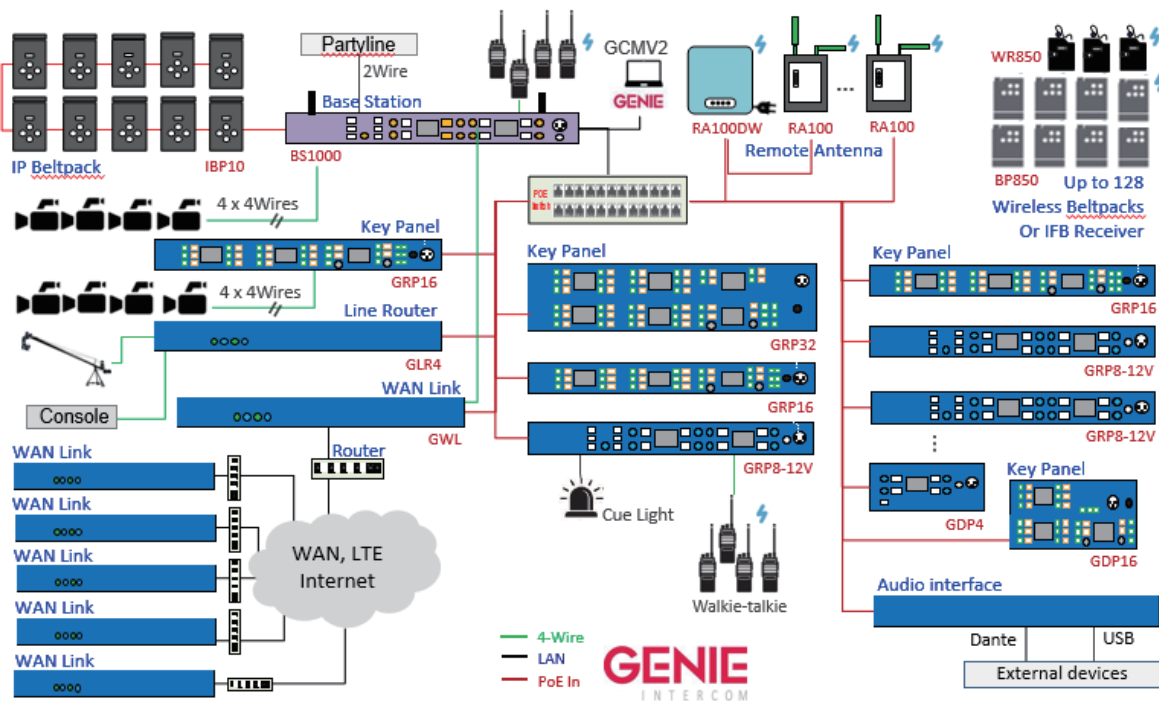
GENIE Key Panels Talk channel capacity

Description	GRP32	GRP16/GDP16	GRP8-12V	GDP4
Talk keys	32 for 32 CH	16 for 32 CH	8 for 16 CH	4 CH
Shift channels in a page	X	16 CH	8 CH	X
Pages	4	4	4	X
Talk channels in one Group key	20 CH	20 CH	20 CH	20 CH

GRP8-12V Main features

- ▶ 16 Talk Channels with 8 Talk Keys
- ▶ One-touch Shift key for shifting channels
- ▶ 8 x Call and Channel volumes
- ▶ Either headset or gooseneck microphone connection
- ▶ Built-in loudspeaker
- ▶ Peer to Peer Key Panel communications
- ▶ Up to 20 multiple Key Panels group assignment on a key
- ▶ Genie Group channels (Conference) assignment on a key
- ▶ Line connections
- ▶ Line A, B, C, D audio can be routed to Panels or Genie Group channels
- ▶ Various IFBs configurations - IFB members, IFB sources, IFB destinations, IFB dim level adjustment & Monitoring
- ▶ 4 Lines (A, B, C, D) for 4 x 4-Wire
- ▶ GPIO (Relay, OPTO-isolated input, Unbalanced audio)
- ▶ 1 x PoE Input, 2 x LAN
- ▶ 12V DC Dual power
- ▶ WAN Link & Line Router connection
- ▶ Connection with 128 Key Panels and 128 wireless Beltpacks

GENIE System configuration



GRP8-12V Specification

Loudspeaker	3 watts
Headset Output	500mW, 32 Ohm
Front Panel Display	Two OLED screens
Font Panel Button	8 Talk key, LED indicated Buttons and Rotary controls
Headset	Dynamic or Electret, 6-pin mini-Din, Receptacle
Gooseneck Mic.	Dynamic or Electret, XLR-3F
Line A and Line B (4-Wire)	Two RJ-45, 600Ω balanced, level adjustable
Line C and Line D (4-Wire)	Input XLR-3F, Output XLR-3M, 600Ω balanced, level adjustable
GPIO, 12VDC, AUX(D)	DB25M, 2 Relay outputs and 2 Opto-isolated inputs, 12VDC, 600Ω unbalanced, level adjustable

PC PROG	25-pin D-sub female for firmware upgrade
PoE Input	RJ-45 Connector, 100Mbps Standard PoE specification
LAN	Two RJ-45 Connectors, 100Mbps Standard LAN specification
Power Supply	Consumption: 9 watts Two 12VDC inputs, PoE input The external PSU provides the 12VDC 3.33A and at its input takes 100-240VAC, 47-63Hz
Operating Temperature	0°C to 50°C (32°F to 122°F)
Dimensions	16.83W x 8.03D x 1.73H inch (42.75W x 20.4D x 4.4H cm)
Weight	7.27 lb (3300g)