

**FRONT**



- ▶ Master Volume rotary control (Orange)
- ▶ CH1 - CH4 Talk keys (LED indicator)
- ▶ CH1 - CH4 Volumn rotary control (Blue), Push to call
- ▶ Menu (LED indicator)
- ▶ Activate headset (LED indicator)
- ▶ Display screen
- ▶ Loudspeaker

**SIDE**



- ▶ Gooseneck microphone connector (XLR3F)
- ▶ Headset connector (6pin Mini-Din Receptacle)
- ▶ PoE Input
- ▶ Optional wall bracket 'BRK400' & desk bracket 'BRK450'
- ▶ Optional 18-26" telescoping gooseneck microphone 'GM 26'
- ▶ Optional 7.5" gooseneck microphone 'GM 8'

Genie Key Panels are 'matrix-free' IP networking intercom system designed to be used in connection with Genie, a converged system of IP intercoms and Wireless Beltpacks, or independently without a Genie Base Station which is flexible and efficient in configuring a system for various applications. The Key Panels offer varied audio paths such as peer-to-peer or up to 20 multiple Key Panels group communications with one key(group key), Genie group conference, Line connections, Line audio routings and IFBs. It is highly scalable system enabling up to 128 Key Panel connections that supports high standard intercom users to accomplish complex workflows for large scale of facilities or events. The system can easily be configured by GCM(Genie Configuration Manager) with full visibility of the connection status. GDP4 is a compact desktop or wall-attached Key Panel that provides 4 Talk keys. The power can be supplied through CAT5e STP LAN cable into PoE(Power over Ethernet) input on the side of the GDP4 and either headset or gooseneck microphone can be used for communication.

**GENIE Key Panels at a glance**

Model	Description	Talk key	4-Wire	LAN	PoE In	Relay	Opto Input	Format	Power Redundancy
GRP32	Rack Panel	32	4	2	1	2	2	2RU	(2 x PSU) + PoE
GRP16	Rack Panel	16	4	2	1	2	2	1RU	(2 x PSU) + PoE
GDP16	Desk/Wall Panel	16	4	2	1	2	2	Desk/Wall	(2 x PSU) + PoE
GRP8-12V	Rack Panel	8	4	2	1	2	2	1RU	(2 x PSU) + PoE
GDP4	Desk/Wall Panel	4	-	-	1	-	-	Desk/Wall	PoE
GLR4	Line Router	-	4	2	1	-	-	1RU	(2 x PSU) + PoE
WAN Link	WAN Link	-	4	2	1	-	-	1RU	(2 x PSU) + PoE

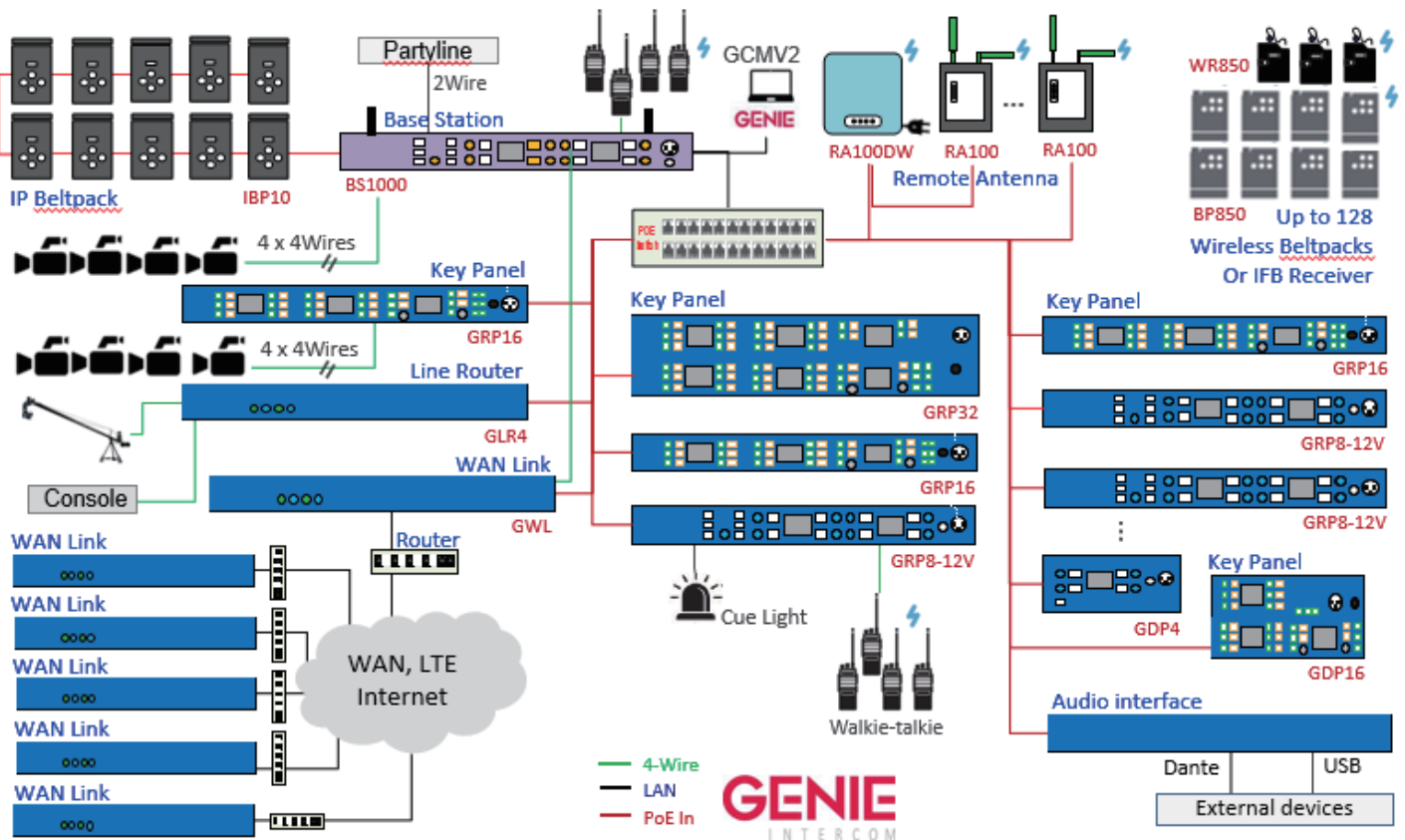
**GENIE Key Panels Talk channel capacity**

Description	GRP32	GRP16/GDP16	GRP8-12V	GDP4
Talk keys	32 for 32 CH	16 for 32 CH	8 for 16 CH	4 CH
Shift channels in a page	X	16 CH	8 CH	X
Pages	4 CH	4 CH	4 CH	X
Talk channels in one Group key	20 CH	20 CH	20 CH	20 CH

## GDP4 Main Features

- ▶ 4 Talk keys and volume rotary control with one master control
- ▶ Headset and gooseneck microphone connection
- ▶ Built-in loudspeaker
- ▶ Optional desk or wall mount kit
- ▶ Peer to Peer Key Panel communications
- ▶ Up to 20 multiple Key Panels group assignment on a key
- ▶ Genie Group channels (Conference) assignment on a key
- ▶ Various IFBs configurations - IFB members, IFB sources, IFB destination, IFB dim level adjustment & monitoring
- ▶ WAN Link & Line Router connection
- ▶ Connection with 128 Key Panels and 128 Wireless Beltpacks

## GENIE System configuration



## GDP4 Specification

Loudspeaker	3 watts
Headset Output	500mW, 32 Ohm
Front Panel Display	One OLED screen
Font Panel Button	4 Talk key, LED indicated Buttons and Rotary encoders
Gooseneck Mic.	Dynamic or Electret, XLR-3F

Headset	Dynamic or Electret, 6-pin Minii-Din male, Receptacle
PoE Input	Consumption: 5 watts RJ-45 Connector, Standard PoE specification
Operating Temperature	0°C to 50°C (32°F to 122°F)
Dimensions	8.26W x 3.93D x 2.24H inch (21.0W x 10.0D x 5.7H cm)
Weight	2.75 lb (1250g) without wall mount kit (0.44 lb, 200g)