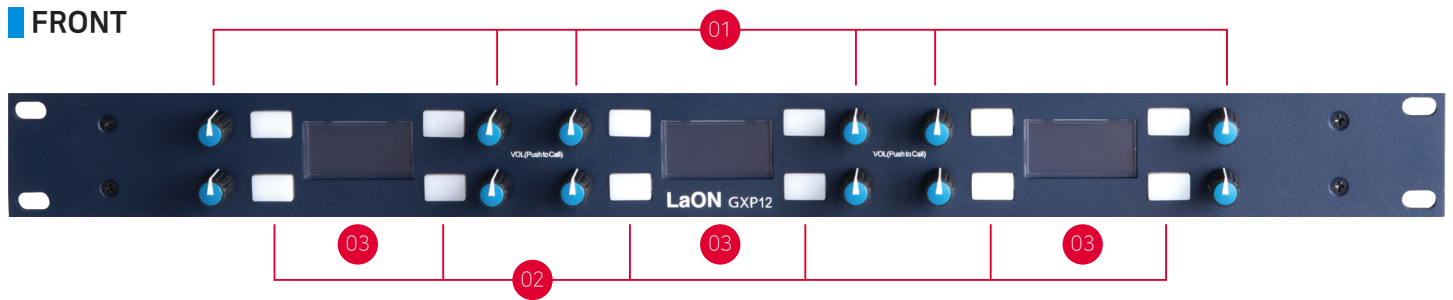


FRONT



01 12 Volume rotary controls, Push to call

02 12 Talk keys with LED

03 Display screen

REAR



01 Firmware upgrade (D-sub 25pin female)

02 Daisy-chain Expansion IO(1), 12VDC

03 Daisy-chain Expansion IO(2), 12VDC

04 12VDC 3.33A Power input

GENIE Key Panels are 'matrix-free' IP networking intercom system designed to be used in connection with GENIE, a converged system of IP intercoms and Wireless Beltpacks or independently without a Genie Base Station which is flexible and efficient in configuring an intercom system for various applications.

The Panels offer varied audio paths such as peer-to-peer or group (multiple Panels) communication, Genie group channel communication, Line connections, Line audio routings and IFBs. It is easy-to-wire daisy-chain PoE(Power of Ethernet) scalable solution that supports high standard intercom users to accomplish complex work flows for large scale of facilities or events. The system can easily be configured by Genie Configuration Manager(GCM) with the full visibility of the connection status.

GXP12 is a rack size expansion Panel that can be connected to a GRP8 master Key Panel and provides 12 Talk keys. It allows daisy-chain connection from the master Panel to expansion Panels and the power is redundant through expansion IO and external 12VDC PSU. The remaining power will be cascaded to the next daisy-chain expansion IO and any of two expansion IO can be used without the separation of input or output. Up to two GXP12 Panel can be connected to a GRP8 master Key Panel for expansion and up to 32 keys of the Panels can be used.

Genie Key Panels At A Glance

Model	Product name	Talk key	4-Wire	Expansion I/O	Daisy-chain PoE	PoE In	Relay	Opto Input	Format	Power
GRP8	Rack Panel	8	4	1	2	1	2	2	1RU	2 + (3 x POE)
GXP12	Expansion Panel	12	-	2	-	-	-	-	1RU	2 x (12VDC)
GDP4	Desktop/Wall Panel	4	-	-	-	1	-	-	Desktop, Wall	1 x PoE

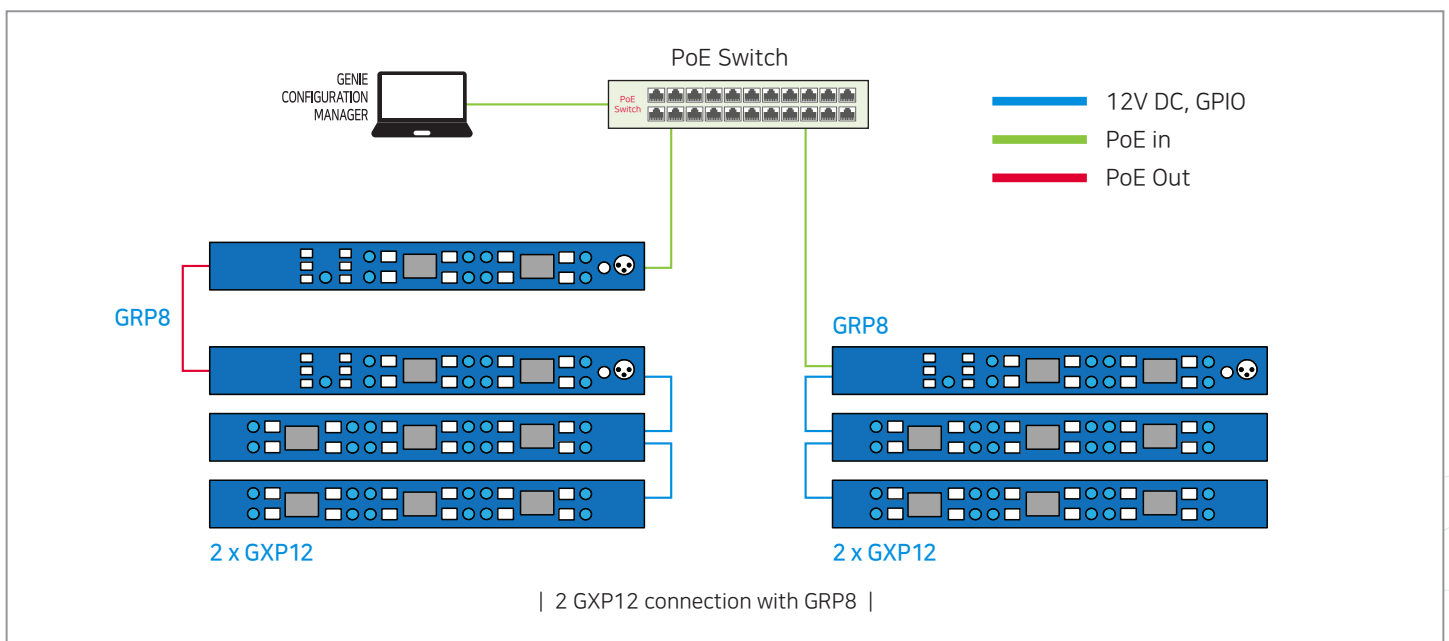
GENIE Key Panels Talk Channel Capacity

Description	GRP8	GXP12 (Expansion)	GDP4
Connections of Expansion Panels	2	Daisy-chain	X
Talk keys	8	12	4
Talk keys with Expansion Panels	20 (32*)	X	X
Shift	8	X	X
Pages	8	X	X
Group key, Panels per Talk key	8	8	8

GXP12 Expansion Panel Main Features

- ▶ Genie Expansion Panel to expand keys from GRP8 master Key Panel
- ▶ 12 Talk keys and volume rotary control
- ▶ Either headset or gooseneck microphone connection
- ▶ Built-in loudspeaker
- ▶ 3 x OLED display
- ▶ Two Expansion I/O with 12VDC
- ▶ Peer to Peer Panel communications
- ▶ Multiple Panels assignment on a key - Group key
- ▶ Genie group channels assignment on a key
- ▶ Panel and Genie group channels assignment on a key - Interoperability with Genie on group channel
- ▶ Various IFB configurations
- ▶ Up to two GXP12 connections for a GRP8 Key Panel and up to 32 keys can be used

Panel Connections



GXP12 Expansion Panel Specification

Front Panel Display	Three OLED screens, 128 x 64 Resolutions
Front Panel Key	LED indicated keys and Rotary controls
Expansion I/O, 12VDC	Two RJ45 Expansion I/O with 12VDC
PC PROG	25-pin D-type female, Upgrading the Panel firmware
Power Input	100-240VAC, 47-63Hz, 11.4-12.6VDC, 10.8Watts Maximum
Operating Temperature	0°C to 50°C (32°F to 122°F)
Dimensions	16.83W x 8.03L x 1.73H inch (42.75W x 20.4L x 4.4H cm)
Weight	6.17lb (2800g)